

Instruction Manual
Integrated Solar Street Light
(8W.12W.15W)



Breif:

Our integrated solar street light which integrates the green-energy parts solar panel, LED lamp and the Li-Fe battery into a single product, is with human intelligence induction system to gain the solution of low-energy, long-time, high-luminance and free maintenance. And the same time, it's convenient in the shipment and installation.

Purpose:

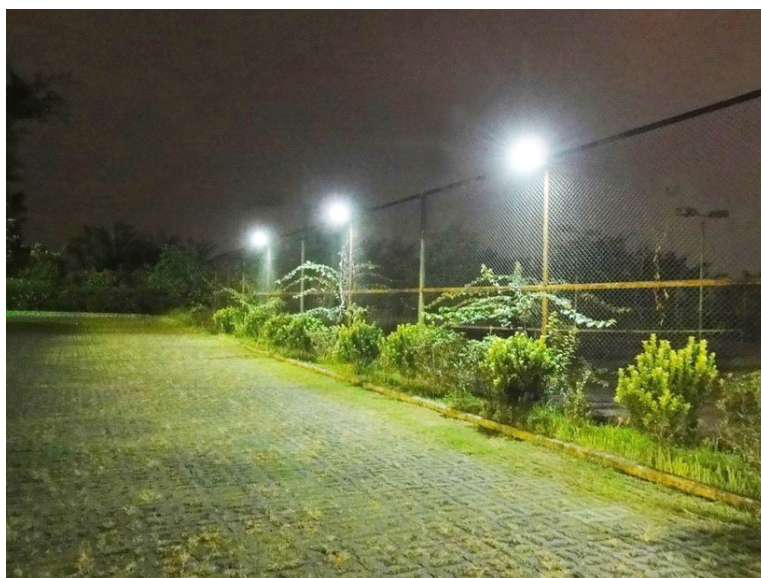
To be installed in the garden, residential area, courtyard, road, mine area or parking area or provide the light in roads where it's necessary, the battery provide the energy for lighting, and the solar panel charge for the battery.

Product parts:

The product is made up with the integrated parts (solar panel, Li-Fe battery, LED, MPPT controller and human intelligence induction system) and the light pole.

Working characters:

The solar panel converts sunlight into electricity and stored in Li-Fe battery via controller, the LED light will work in night automatically by light sensor control, and provide light for the darkness area, the human intelligence induction system can save the energy when the lighting is not necessary



Technological Parameter:

Model		<input type="checkbox"/> CSSTY-208	<input type="checkbox"/> CSSTY-212	<input type="checkbox"/> CSSTY-215
specifications				
light source		8W LED	12W LED	15W LED
Solar panel		15W (Mono)	18W(Mono)	25W(Mono)
battery		6000mAh	6000mAh	10000mAh
Human body sensing		YES	YES	YES
dimension		515*320*52mm	515*320*52mm	700*420*140mm
net weight		5.5KG	6.5KG	9KG
Light efficiency				
Luminous	Full load working	880lm	1320lm	1650lm
flux	Less load working	440lm	400lm	500lm
visual angle		120	120°	120°
color temperature		<input type="checkbox"/> 3000k-3500k	<input type="checkbox"/> 3000k-3500k	<input type="checkbox"/> 3000k-3500k
		<input type="checkbox"/> 6000k-6500k	<input type="checkbox"/> 6000k-6500k	<input type="checkbox"/> 6000k-6500k
Work time	Full power	≥12Hr	≥12Hr	≥12Hr
	Saving mode	≥24Hr	≥24Hr	≥24Hr
Ambient temperature				
work temperature		charging:0°C~+60°C discharging : -20°C~+60°C storage: 0°C~+45°C		
install				
install high		3~5m		
light spare		10~20m		

Manual:

- .“All in One solar street light”can not work without sunshine charging, please select the suitable product model according to the local sunshine radiation and the annual total radiation.

- .“All in One solar street light” adopts the long life Lithium battery for storing energy, charging temperature at day time is between: $0^{\circ}\text{C}\sim+60^{\circ}\text{C}$, when temperature goes lower than 0°C , the control system will stop automatically to protect the battery, and it will revive to charge the battery while temperature goes higher than 0°C . Discharging temperature at night is between: $-20^{\circ}\text{C}\sim+60^{\circ}\text{C}$, any ambient beyond will bring damage to the battery. Please confirm your local extreme temperature is suitable for above while selecting the street light. .

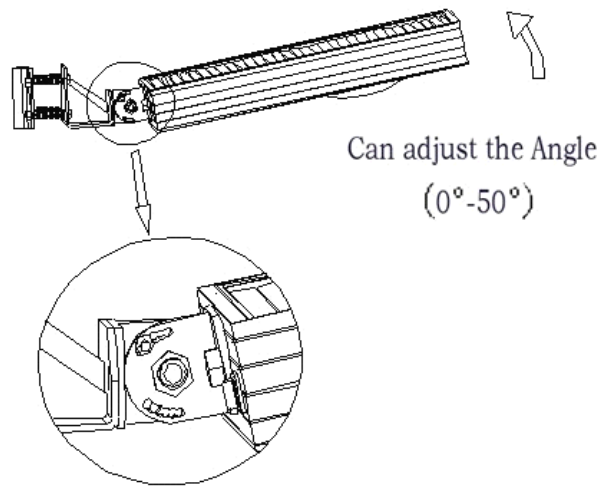
- .Battery of the “All in One solar street light” can be stored for 6 months long after full charged, and please examine, charge it periodically after long time transportation to prevent damage.

- .While installed in Northern Hemisphere, please make sure the surface of the solar panel to be facing the South to collect maximum sunshine radiation, While installed in Southern Hemisphere, please make sure the surface of the solar panel to be facing the North to collect maximum sunshine radiation. At the same time please keep it away from any shadow of house, trees etc.

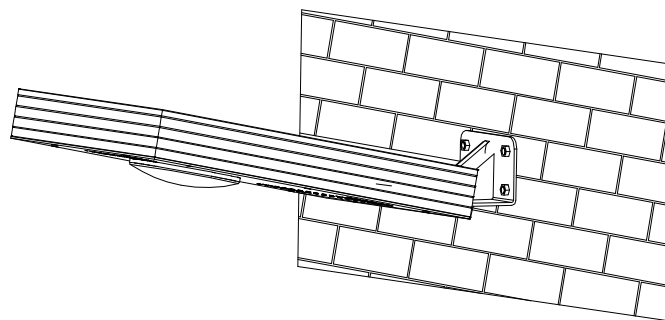
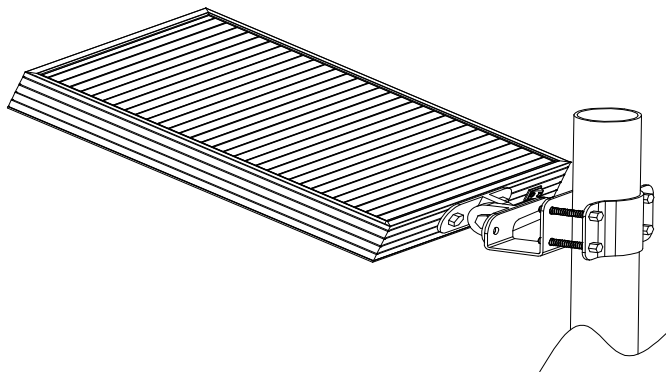
- .Keep clearing the surface of the All in One solar street light with normal detergent to get maximum power generation, clear the dust or tree leaves or any grease.

**Installation:**

Make the solar panel face south while installing. Meanwhile, you can adjust the angel between the lamp head and level (as follows), you'd better reconcile the lamp head with local latitude.



The second installation method, as followed:



2. Using method

It could work when you open the switch without any adjustment. Very easy to operate.

(END)